

# LEDone®

## LOC Ultra-Thin Round Panel Installation Guide

### SAFETY INSTRUCTIONS: Read instructions carefully before attempting to install fixture.

- Fixture must be wired in accordance with the National Electrical Code and all applicable local codes.
- This product must be installed in accordance with the applicable installations code by a person familiar with the construction and operation of the product and the hazards involved.

### CAUTION: Risk of fire

- **WARNING: Risk of electrical shock!** Disconnect power before installing or servicing.
- **WARNING:** No user serviceable parts inside. To avoid electrical shock, do **NOT** disassemble the product.
- **WARNING:** Risk of fire or electric shock, installation requires knowledge of luminaires electrical systems. If not qualified, do **NOT** attempt installation. Contact a qualified electrician.
- **WARNING:** Do **NOT** make or alter any open holes in an enclosure of wiring or electrical components during kit installation.
- **WARNING:** To prevent wiring damage or abrasion, do **NOT** expose wiring to edges of sheet metal or other sharp objects.

### CLEANING & MAINTENANCE:

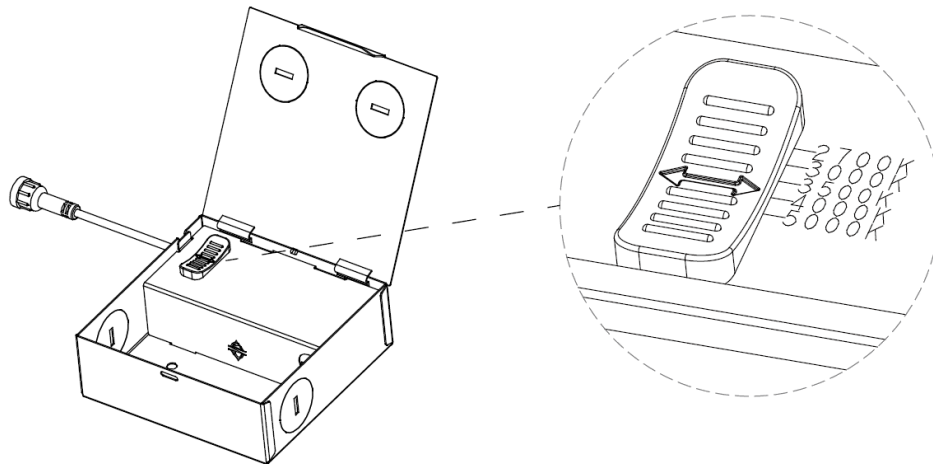
CAUTION: Be sure the fixture temperature is cool enough to touch. Do **NOT** clean or maintain while the fixture is energized.

1. Clean frosted polystyrene lens and fixture with non-abrasive cleaning solution.
2. Do **NOT** open fixture to clean the LEDs. Do **NOT** touch the LEDs.

Note: These instructions do not cover all details or variation in equipment, nor do they provide for every possible situation during installation, operation or maintenance.

### ADJUSTABLE CCT BUTTON:

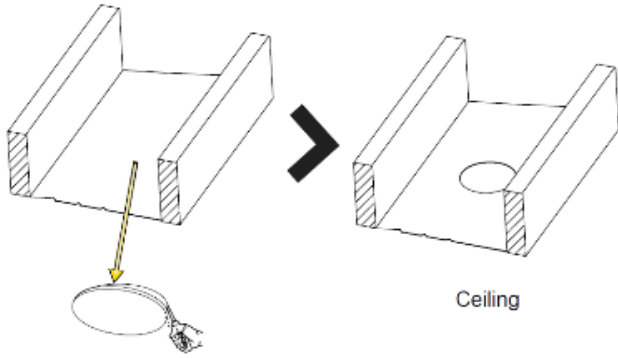
- Select the color temperature by adjusting the switch for desired CCT inside the junction box.
  - The CCT options are 2,700K / 3,000K / 3,500K / 4,000K / 5,000K
- **Set your preferred color temperature before you install the light.**



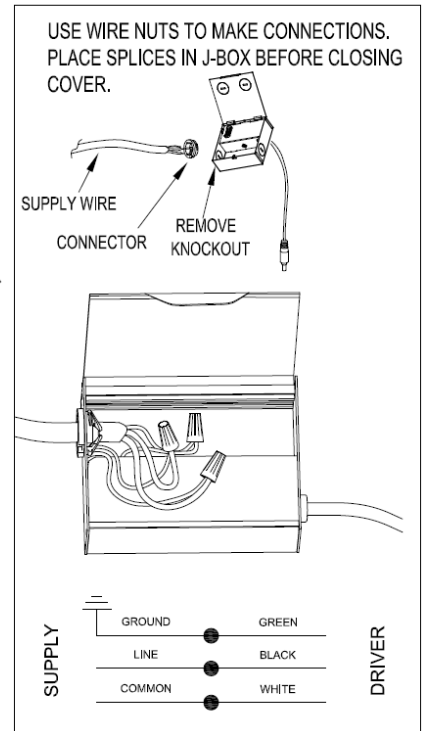
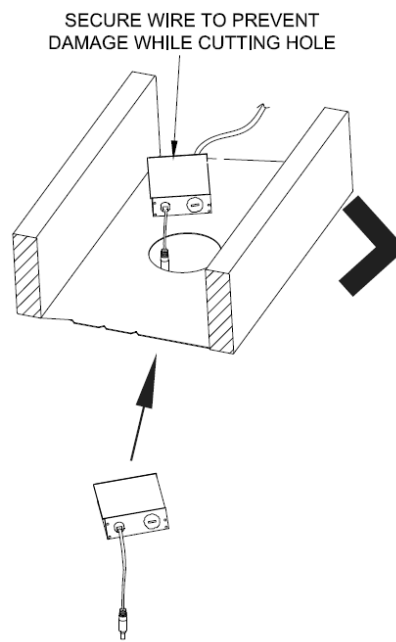
## INSTALLATION:

1. Turn power off.
2. Select preferred color temperature before installing the light.
3. Cut hole in the ceiling. Do NOT cut the hole larger than the frame plate opening. (Fig. 1)
4. Secure the junction box inside the ceiling. Connect the supply wires to the junction box. (Fig. 2)
5. Insert round panel cord into the junction box and twist to lock. Push and hold both installation clips in a vertical position before inserting into the ceiling. (Fig. 3)

**Fig. 1**



**Fig. 2**



**Fig. 3**

